

Details Are The Key To Success

FLASHING WHERE ROOF AND VERTICAL WALL MEET

SUCCESSFUL BUILDERS SHARE THEIR KNOWLEDGE

All good builders know how important it is to pay attention to details. In this series, Dryvit focuses on key details that successful builders follow when installing exterior insulation and finish systems. Use these drawings, along with Dryvit's complete system specifications and details, as a helpful guide for you and your subcontractors in planning and coordinating the critical interfaces between exterior building components.

DRYVIT'S TECHNICAL SUPPORT IS TOPS

Throughout North America, we have a field service staff to assist with technical issues. Our corporate engineering staff is prepared to review your Dryvit plans, make suggestions and support your efforts. Total customer satisfaction is our goal. Use our 800 number and benefit from the Dryvit Difference.

MAKE SURE IT'S A DRYVIT SYSTEM

We are the Number One EIFS manufacturer. We offer a number of exterior wall systems including Residential MD® and Sprint MD® Systems. You are off to a great start when you select a Dryvit system.

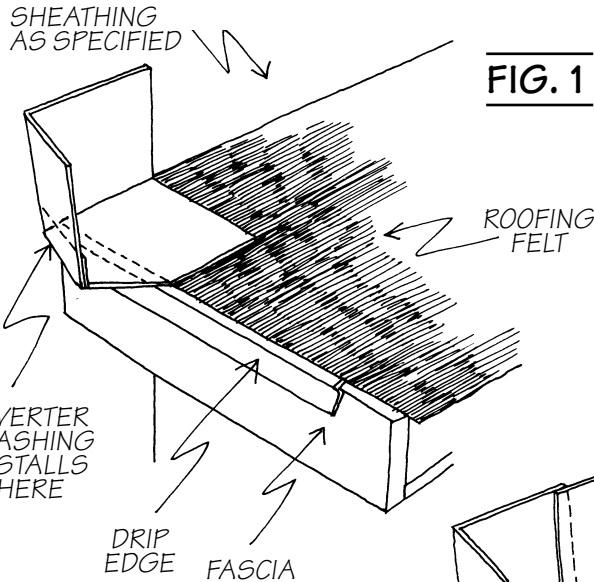
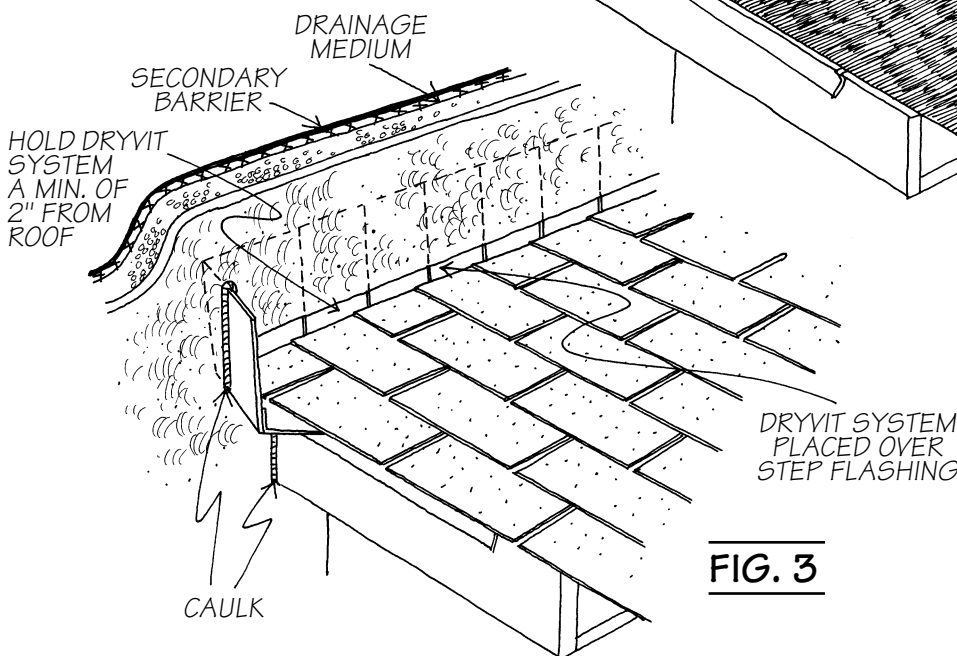
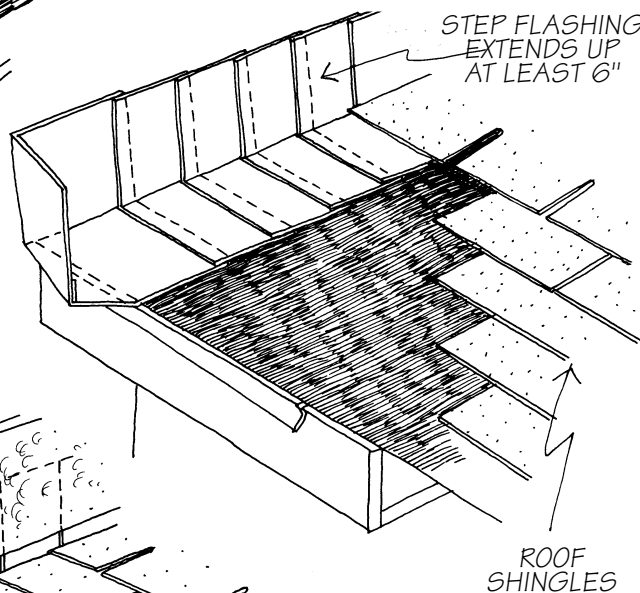


Fig. 1) A diverter flashing is installed as the first piece of flashing at the end of the roof where it intersects the wall.

Fig. 2) This detail shows the installation of the diverter and step flashing. The purpose of the step flashing and diverter is to shed the water off the roof and keep it away from the vertical wall beneath.

Note: All diverter joints must be soldered.

Fig. 3) The Dryvit system is held a minimum of 2" off the roof and caulked around the diverter.



This detail is for general information and guidance only, and Dryvit disclaims any liability for the use of this detail and for the architecture, design, engineering or workmanship of any project.

For additional information, call 1-800-4-DRYVIT or visit www.dryvit.com

©Dryvit Systems, Inc. 1997



An RPM Company